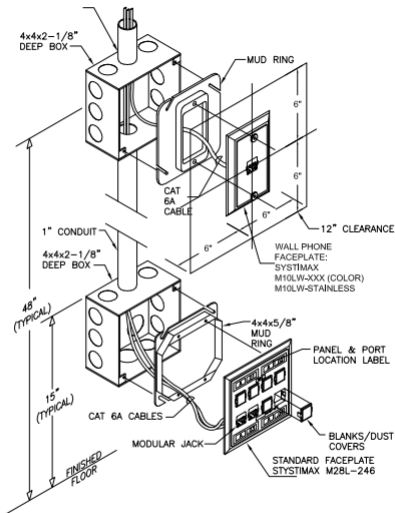


1" CONDUIT TO TRAY



W
UNIVERSITY of
WASHINGTON

UW-IT

FACILITIES
PLANNING
AND
DESIGN

STACKED
COMMUNICATIONS
OUTLET DETAIL

DRN. BY: L. Floreca

CHECK: B. Berglund

APPR: S. Parks

DATE: 07/01/11

REV: 1 DATE: 05/01/10

REV. BY: J. Templin

SCALE:

SCALE/NTS

CAD NAME:

COMM OTI-2

DWG. NO.:

OL-CI-2