

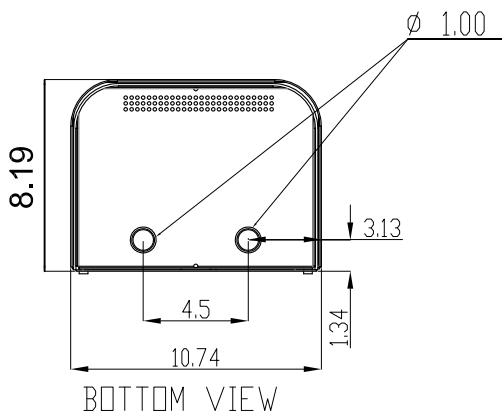
FRONT VIEW

SIDE VIEW

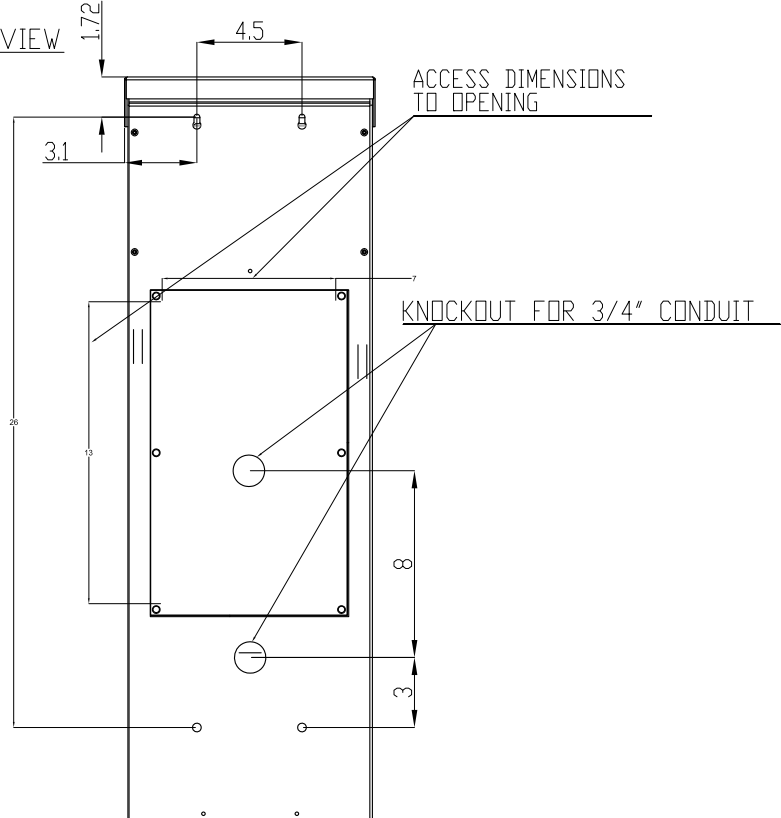
See drawing PH-CI-4 for phone and Bazel

See drawing PH-CI-4 for phone and Bazel

R.57



BOTTOM VIEW




BACK VIEW

ACCESS DIMENSIONS TO OPENING

KNOCKOUT FOR 3/4" CONDUIT

MODEL WEBS-WM
 ENGINEER SECURE WALL
 MOUNTING PER SITE CONDITIONS
 (used by permission of
 Talk-A-Phone)

 UNIVERSITY of WASHINGTON	UW-IT	TALK A PHONE PHONE TOWER MASS NOTIFICATION WALL MOUNT	DRN. BY: TALK A PHONE	SCALE:
	FACILITIES PLANNING AND DESIGN		CHECK: J. Templin	SCALE/NTS
			APPR: L. Zimmerman	CAD NAME:
			DATE: 05/15/14	EMERG-TW-2
			REV.: 2.0	DATE: 01/29/16
	REV. BY: J. Templin	PH_CIF-2		