

REV.: 0.0

DATE:

REV. BY:

DRN. BY: J. Templin

CHECK: J. Evans

APPR: L. Zimmerman

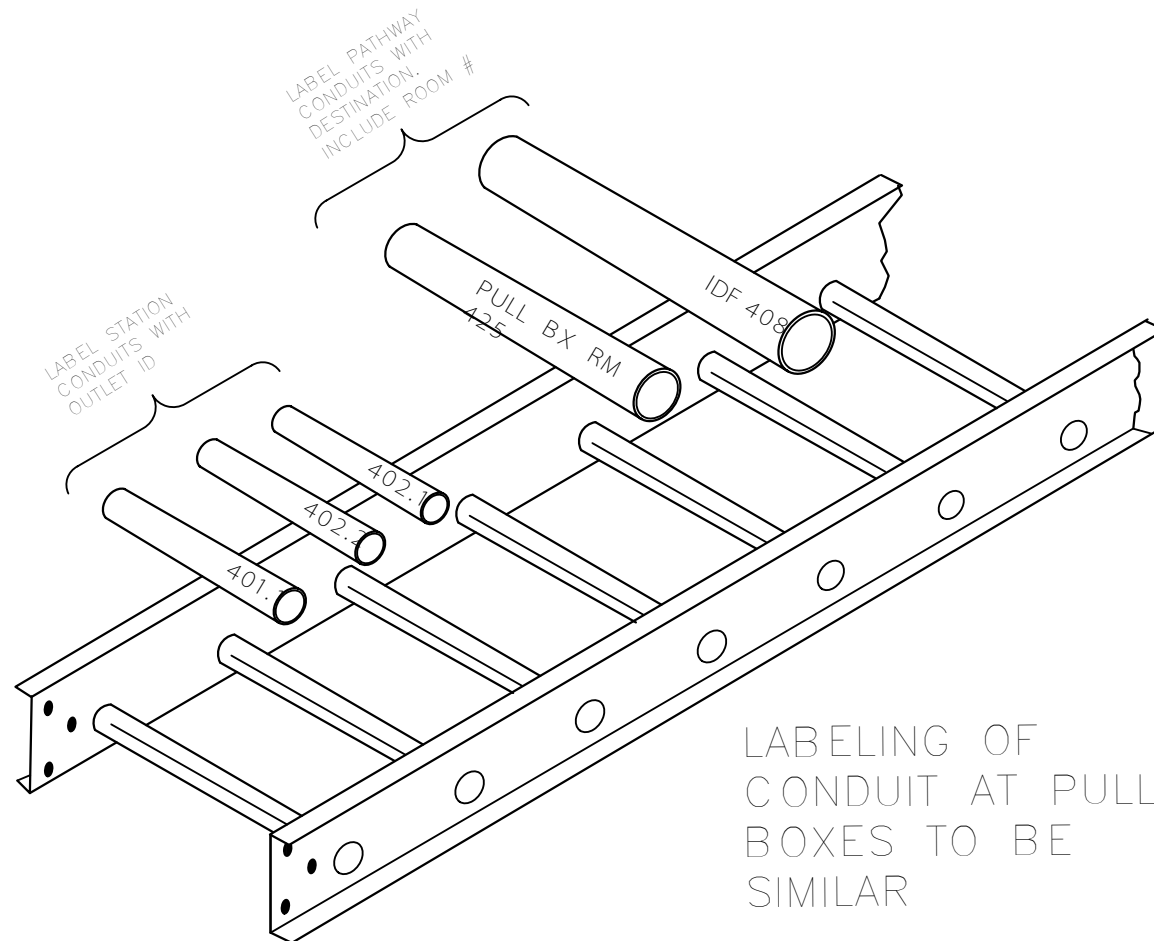
DATE: 06/19/14

SCALE:  
NTS

CAD NAME:  
COND-LB-1

DWG. NO.:  
LB-CI-5

IDENTIFY DESTINATION OF CONDUIT  
WITH PERMANENT MARKER OR ID  
LABEL



LABELING OF  
CONDUIT AT PULL  
BOXES TO BE  
SIMILAR